

**SC Liquid Ring
Vacuum Pumps and Compressors**

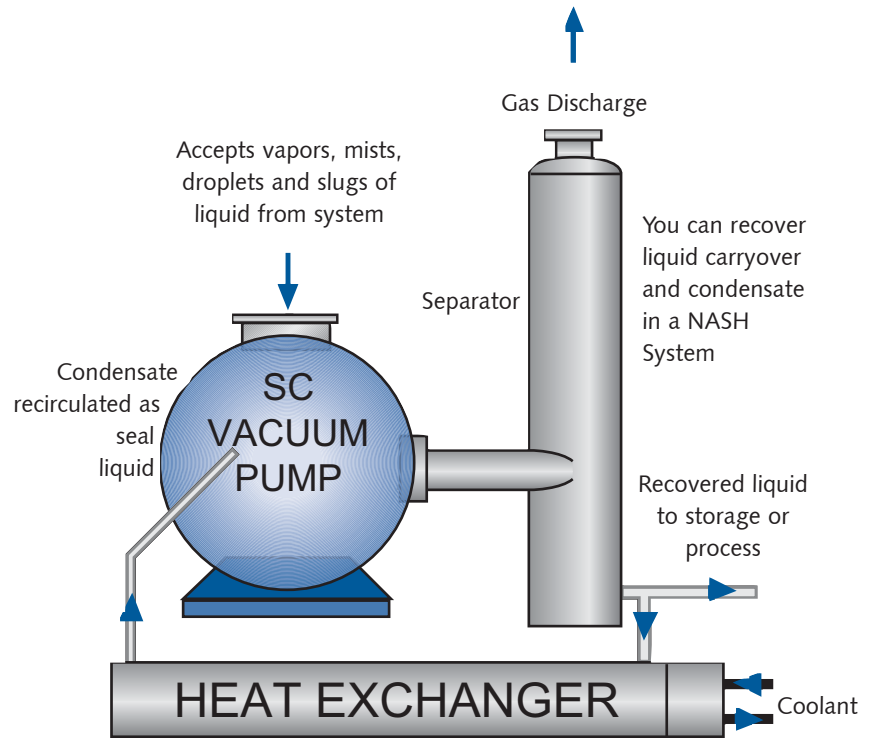
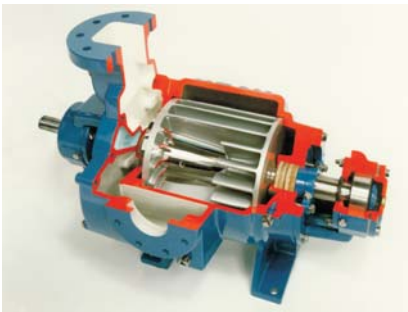


NASH SC Vacuum Pumps & Compressors

When to select a NASH SC Pump

- when the air or gas is wet
- when vapor can be reclaimed
- when the gas carries solids
- when gas is corrosive
- when you need reliability
- when you want a guarantee

SC Pumps are single stage vacuum pumps ideal for demanding applications in extremely tough conditions. Heavy duty pumps, they are able to service a wide range of applications, which can include dewatering in the paper industry and vacuum filtering in mineral ore processing.



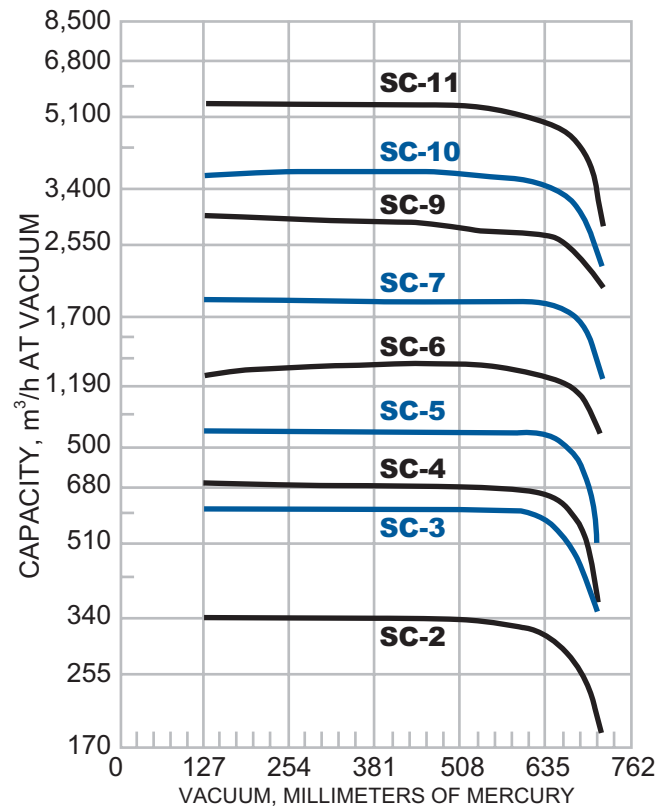
Basic specifications

Vacuum range	0-27+ in Hg vac/ to 100 mbar abs.
Differential pressure capability	15 psi/ 1 bar
Compressor pressure	15 psig/ 2 bar abs.
Construction material	Ductile iron, Stainless Steel

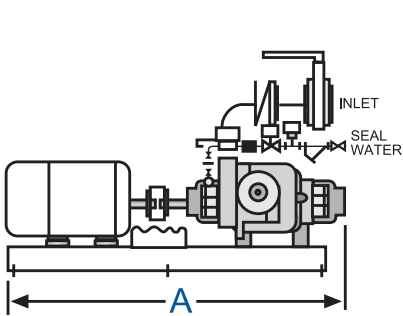
Features

Benefits

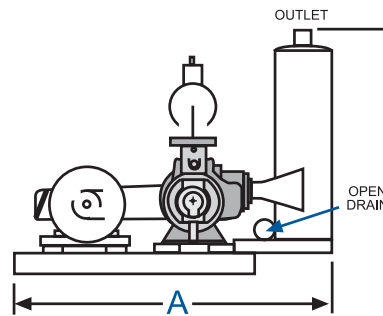
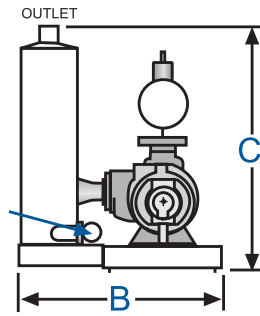
High efficiency design	Lower operating costs
One inlet - one discharge	Simplifies piping hookup and saves space
Universal stuffing box	Can choose the appropriate mechanical seal design
Conical design	Better ability to handle water/particulate slugs
Lobe purges	Reduce erosion wear
Variable port design	High efficiency
100% performance tested	Trouble-free start-up and operation
Backed by 2 year warranty and over 100 years of vacuum and compressed gas experience	Peace of mind



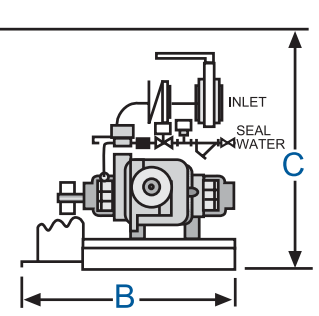
World Class Design & Performance



Once-Through Seal, Direct Drive



Once-Through Seal, V-Belt Drive

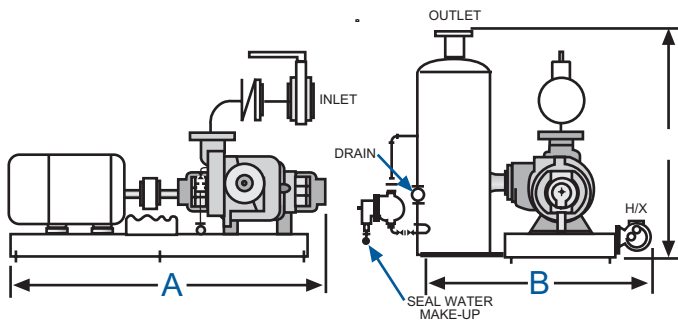


PUMP	Dimensions in mm				
	A	B	C	Inlet	Outlet
SC 2	1372	762	914	76.2	50.8
SC 3	1651	965	1168	101.6	76.2
SC 4	1727	991	1168	101.6	76.2
SC 5	1778	991	1168	101.6	76.2
SC 6	2057	1118	1346	152.4	101.6
SC 7	2413	1372	1981	152.4	152.4
SC 9	3073	1651	2057	203.2	152.4
SC10	3226	1753	2159	203.2	152.4
SC11	4115	2057	2616	254.0	203.2

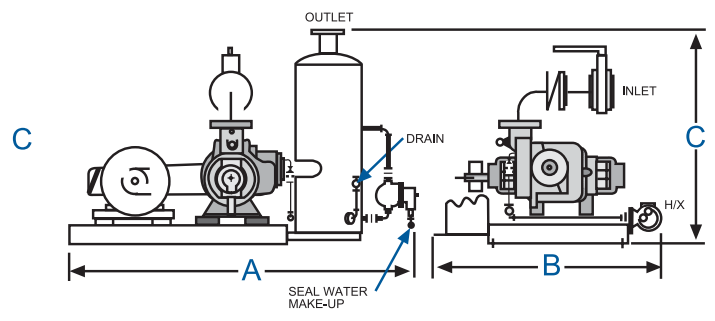
PUMP	Dimensions in mm				
	A	B	C	Inlet	Outlet
SC 2	1422	889	940	76.2	50.8
SC 3	1778	1067	1194	101.6	76.2
SC 4	1803	1092	1194	101.6	76.2
SC 5	1803	1092	1194	101.6	76.2
SC 6	1930	1270	1397	152.4	101.6
SC 7	2489	1448	2032	152.4	152.4
SC 9	2743	1803	2032	203.2	152.4
SC10	2896	1905	2134	203.2	152.4
SC11	3353	2337	2591	254.0	203.2

These sketches show rough envelope dimensions of standard packages. Nash will supply completely dimensioned drawings that show locations and details of external connections. All packages can be modified to meet the requirements of your application. When the SC-9, SC-10 and SC-11 are used with a recirculated seal, their installations almost always require individual engineering, and are thus not shown in the packages below.

Ductile iron is standard for vacuum pumps SC-2 through SC-7. Stainless steel construction is available as an option. Stainless steel is standard for pumps SC-9, SC-10 and SC-11. They are also available in cast iron and ductile iron.



Recirculated Seal, Direct Drive



Recirculated Seal, V-Belt Drive

PUMP	Dimensions in mm				
	A	B	C	Inlet	Outlet
SC 2	1422	864	711	76.2	50.8
SC 3	1702	1219	1143	101.6	76.2
SC 4	1727	1270	1143	101.6	76.2
SC 5	7112	1270	1143	101.6	76.2
SC 6	8128	1422	1499	152.4	101.6
SC 7	9652	1753	7112	152.4	152.4

PUMP	Dimensions in mm				
	A	B	C	Inlet	Outlet
SC 2	1422	965	762	76.2	50.8
SC 3	1829	1245	1168	101.6	76.2
SC 4	1905	1270	1168	101.6	76.2
SC 5	1905	1270	1168	101.6	76.2
SC 6	2083	1397	1524	152.4	101.6
SC 7	2540	1549	1854	152.4	152.4

All dimensions are approximate

Other NASH Products

2BV Compact liquid ring vacuum pumps built for serious cost savings
Use up to 50 percent less water than other liquid ring pumps
Monoblock and pedestal designs available
Capacity of 7 to 595 m³/h with vacuum to 31 mbar abs.



Vectra Liquid ring vacuum pumps and compressors
Available in feature rich budget designs (XL or GL)
Designed to handle high back pressure requirements
Capacity of 195 to 4 860 m³/h with vacuum to 31 mbar abs.



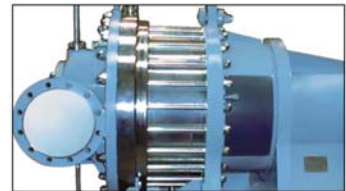
2BE3/P2620 Large liquid ring vacuum pumps with superior corrosion resistance
Top discharge capability which eliminates need for trench
Self-recirculating seal water, reducing need for external seal water source
Capacity of 6 800 to 39 000 m³/h with vacuum to 31 mbar abs.



TC/TCM Integral 2 stage liquid ring pumps with improved performance at vacuum levels down to 0.8" HgA (27 mbar)
Designed to handle large amounts of liquid carryover without difficulty
Capacity of 170 to 3 740 m³/h with vacuum to 27 mbar



Garo Compressors Highly rugged and reliable compressors that can handle highly toxic, explosive and corrosive gases
Specifically developed for applications such as flare-gas, chlorine and Vinyl Chlorine Monomer (VCM) recovery
Capacity of 100 to 3 740 m³/h with pressure to 15 bar abs.
Single and two stage models available



Vac-Cent Services (Pty) Ltd.
PO Box 14547
124 Snapper Road
Wadeville, South Africa, 1422
phone: 0861 VACUUM
+ 27 11 827 1536
fax: + 27 11 827 3590
cell: + 27 82 459 1773
andre@vaccent.co.za
VacCent.co.za



Gardner Denver
Liquid Ring Pump Division
9 Trefoil Drive
Trumbull, CT 06611 U.S.A.
phone: 1 800 553 NASH
+ 1 203 459 3900
fax: + 1 203 459 3988
nash@gardnerdenver.com
GardnerDenverNash.com

