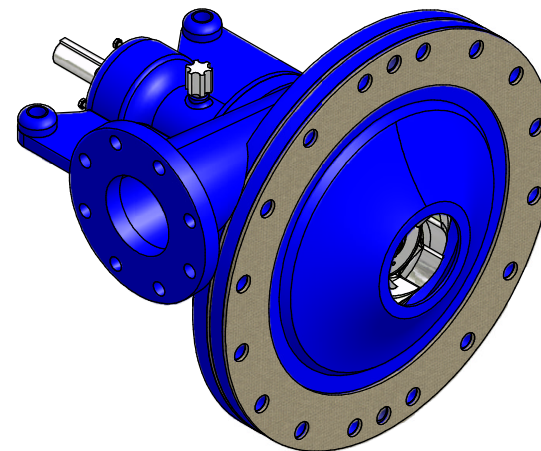
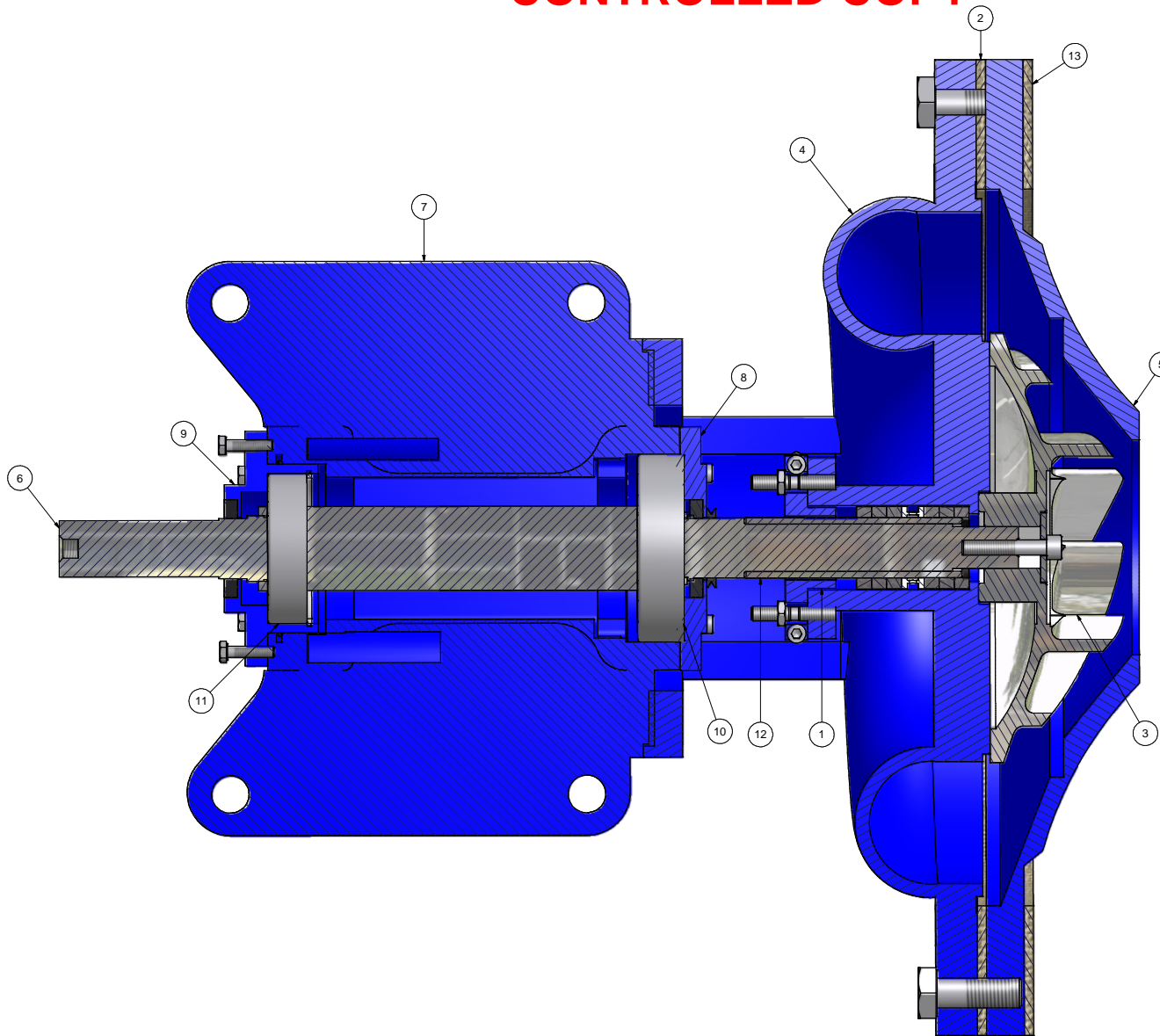


IF IN DOUBT ASK
CONTROLLED COPY

REV/DESCRIPTION		REVISION HISTORY		APPROVED/TITLE
DWG	FINISHED	DATE		PROD MAN
01		15.11.2010	C.B	



BILL OF MATERIALS & PART NUMBERS				
ITEM	QTY	LIQ-EVAC 2x9	LIQ-EVAC 4x9	DESCRIPTION
1	2	LIQ09	LIQ09	GLAND FOLLOWER C/W CAP & NUT
2	2	LIQ22	LIQ22	PUMP CASING GASKET
3	1	LIQ201	LIQ01	IMPELLER
4	1	LIQ202	LIQ02	PUMP CASING
5	1	LIQ203	LIQ03	SUCTION COVER
6	1	LIQ04	LIQ04	DRIVE SHAFT
7	1	LIQ06	LIQ06	BEARING HOUSING
8	1	LIQ07	LIQ07	NON DRIVE END BEARING CAP
9	1	LIQ08	LIQ08	DRIVE END SETTING CAP
10	1	LIQ10	LIQ10	NON DRIVE END BEARING (NU407)
11	1	LIQ13	LIQ13	DRIVE END BEARING (6307)
12	1	LIQ05	LIQ05	SHAFT SLEEVE
13	1	LIQ247	LIQ47	GASKET PUMP TO FLANGE (5mm)



VAC-CENT SERVICES (PTY) LTD.
 124 SNAPPER ROAD, WADEVILLE, 1407
 P.O. BOX 14547, WADEVILLE, 1422, R.S.A

CLIENT	VAC-CENT SERVICES		
TITLE	LIQ-EVAC 2x9 / 4x9 SECTIONAL VIEW		
DRW BY	J.B	TRCD BY	
CHK BY	C.B	SCALE	NTS
DATE	15.11.2010	DRAWING NUMBER	VCN2100
REV	01		

THIS DRAWING IS THE PROPERTY OF VAC-CENT SERVICES (PTY) LTD. AND ALL INFORMATION HERE IN IS CONSIDERED BY VAC-CENT TO BE PROPRIETARY. WRITTEN PERMISSION TO USE OR TO DISCLOSE TO OTHERS ANY INFORMATION HERE ON MUST BE OBTAINED FROM VAC-CENT SERVICES (PTY) LTD, SOUTH AFRICA

FIRST ANGLE PROJECTION