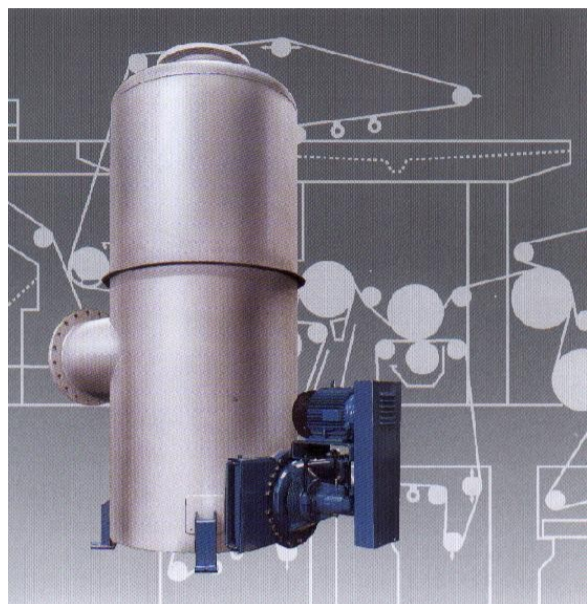
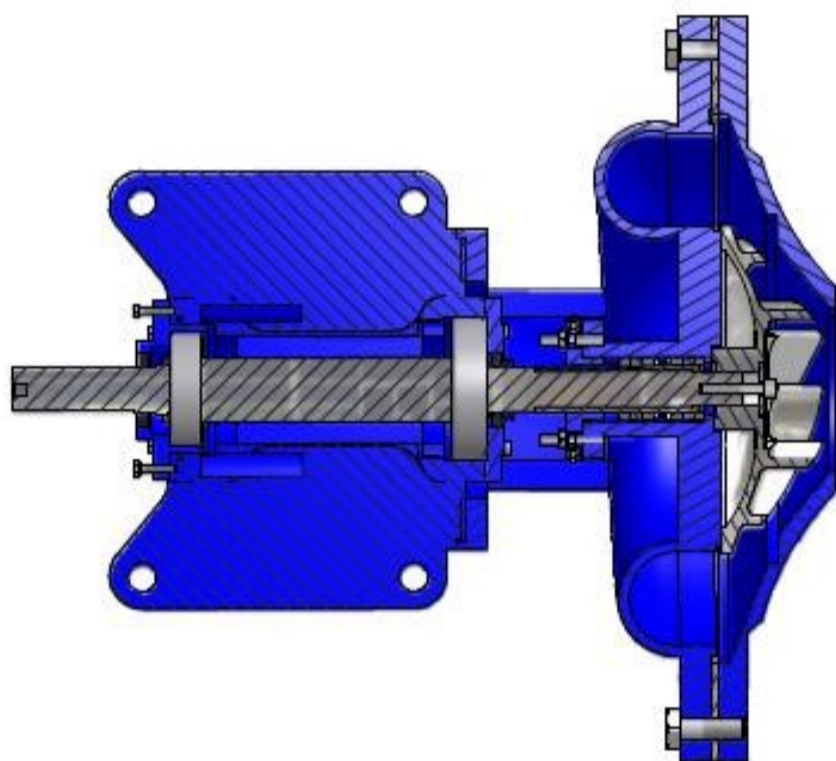


LiqEvac Process Extraction pumps for Pre-Separators and Filtrate Receivers.



LiqEvac filtrate pumps are manufactured 100% in South Africa and are compatible with current models in the field.

They are available in all SG Iron, all 316 Stainless steel wetted ends and combinations of SG Iron and Stainless steel.



There are two sizes available.

- The **LiqEvac 2x9** with a maximum flow of 60 m³/hr or 1000 L/min ranging from 100 kPaG to 300 kPaG pressure.
- The **LiqEvac 4x9** with a maximum flow of 225 m³/hr or 3750 L/min ranging from 75 kPaG to 310 kPaG pressure.



SABS
ISO 9001

www.vaccen.co.za **Vac-Cent Services (Pty) Ltd.** 0861 VACUUM

Wadeville 124 Snapper rd, Wadeville // (T) +27 11 827 1536 // (F) +27 11 827 3590 // faan@vaccen.co.za
Durban 6 Joseph Ave, Glen Anil // (T) +27 31 572 4495 // (F) +27 31 572 4535 // nelson@vaccen.co.za

