



Vac-Cent Services (Pty) Ltd.

Reg. No 1987-000905-07

Head Office

124 Snapper Road,
PO Box 14547
Wadeville
1422
(T) +27 11 827-1536
(F) +27 11 827-3590

Durban Office

New Era House
6 Joseph Ave
PO Box 20903, Durban North
4016
(T) +27 31 572-4495
(F) +27 31 572-4535

SABS
ISO 9001

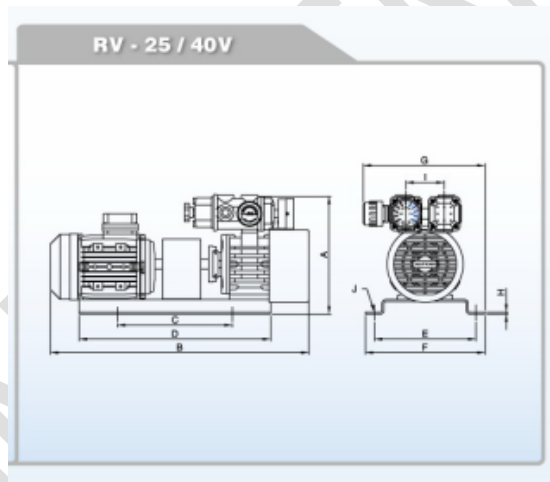


RV-25V



RV-40V

MODEL	TYPE	Hz	L/min	TORR	KPa (abs)	POLE	VOLT	kW	Db	°C
RV-25V	ROTARY VANE	50	400/480	110	14.7	4	220	0.75	64/65	7-40
RV-40V			570/680	110	14.7			1.5	70/71	



MODEL	A	B	C	D	E	F	G	H	I	J	K	WEIGHT
RV-25V	250	540	240	400	212	250	280	4	90	11.3	3/4"	26 kg
RV-40V	275	640	310	400	236	275	280	4	90	11.3	3/4"	37 kg

AUXILIARY EQUIPMENT AND SPARES



www.vaccent.co.za

National number: 0861 vacuum

Chairman: C.F. de Wet Pr.Eng (B.Sc. B.Eng)

Directors: I. Spiby ; A.F. de Wet (Managing)

